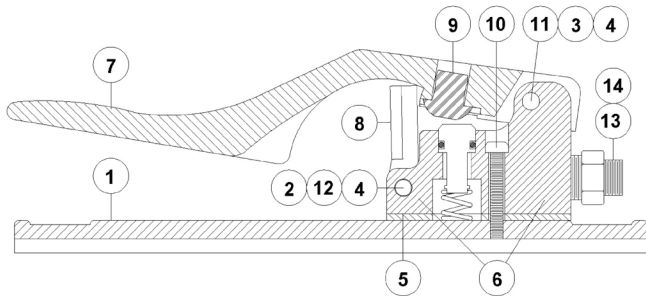
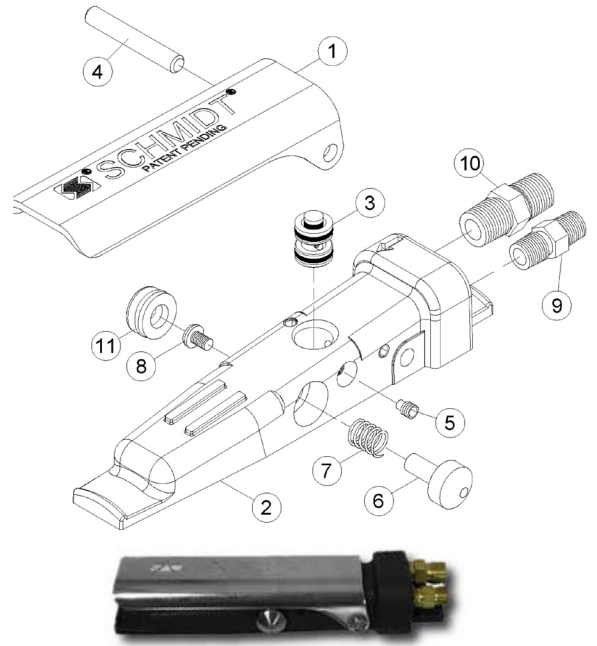


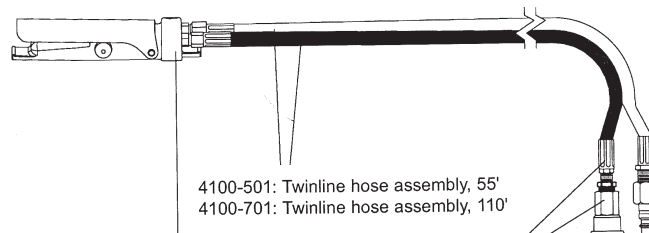
# SECTION 30 - BLASTING SUPPLIES

## Remote Controls / Deadman - Pneumatic & Electric - Schmidt

No.	Part No.	Description
	2263-002	G2 Deadman Valve Pneumatic
1	2263-002-01	G2 Deadman Lever
2	Not Available	Deadman Body
4	2263-002-04PKG.	G2 Hinge Pin (10 pk)
6	2263-002-06PKG.	G2 Button (4pk)
9	3031-300-00	Hex Nipple, 1/8" x 1/8" with ball seat
10	3031-302-02	Hex Nipple, 1/4" x 1/4" with ball seat
11	2263-002-10PKG.	G2 Dust Plug (10pk)
	2263-002-99	G2 Replacement Parts Kit, includes item # 3, 5, 7, 8, 11
Replacement Parts for Pneumatic Deadman 2263-000		
	2263-000-99	Pneumatic Deadman Replacement Parts Kit. Includes : Cartridge, Set Screw, Spring and Screw for Buttom.
This deadman and other parts are no longer available.		



No.	Part No.	Description
	2263-001	Deadman II Control, Pneumatic
1	Not Available	Base
2 +	2263-001-02PKG	Safety Flap Spring (10 pk)
3 +	2263-001-03PKG	Lever Hinge Screw (10 pk)
4	2263-001-04PKG	Hinge Pin Nut (10 pk)
5*+	2263-001-05PKG	Body Gasket (10 pk)
6*+	Not Available	Valve Body Assembly
7	Not Available	Lever
8 +	2263-001-08PKG	Safety Flap (10 pk)
9*+	2263-001-09PKG	Plunger Plug (10 pk)
10	Not Available	Body Mounting Screw
11	2263-001-11PKG	Lever Spring (10 pk)
12 +	2263-001-12PKG	Flap Hinge Screw (10 pk)
13	3031-300-00	Hex Nipple, 1/8" x 1/8" with ball seat
14	3031-302-02	Hex Nipple, 1/4" x 1/4" with ball seat
*	2263-001-98	Deadman II Replacement Parts Kit Phase II
+	2263-001-99	Deadman II Replacement PartsKit Phase I



2263-002: G2 Deadman, pneumatic

- 7035-301: Ferrule
- 4204-301-00: Rigid insert, 3/16" x 1/8"
- 3026-502-00: Bushing, 1/4" x 1/8"
- 4224-301-02: Female quick connect

- 7035-301: Ferrule
- 4204-301-02: Rigid insert, 3/16" x 1/4"
- 4224-300-02: Male quick connect

